

C 105 FIREPLACE

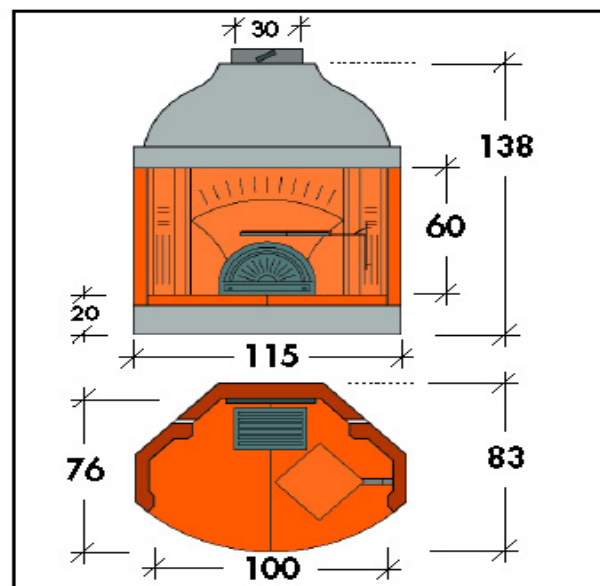
TECHNICAL DETAILS

MIN. ROOM AREA	Mq.	20
HEAT RATING	Kcal/h	24.000
FUEL CONSUMPTION	Kg/h	7,5
ENERGY EFFICIENCY	Kcal/h	7.000
WEIGHT	Kg.	427
AIR INLET VENT	cm	15x20
EXHAUST SMOKE VALVE	cm	30
MAX FUEL CAPACITY	Kg.	11
RECOMMENDED FUEL	Legna secca	

CHIMNEY FLUE DIMENSIONS

Chimney height 3/5 mt	Chimney height 5/7 mt	Chimney height up to 7 mt
diam. 30	diam. 25	diam. 20
or	or	or
30X30	25x25	20x20

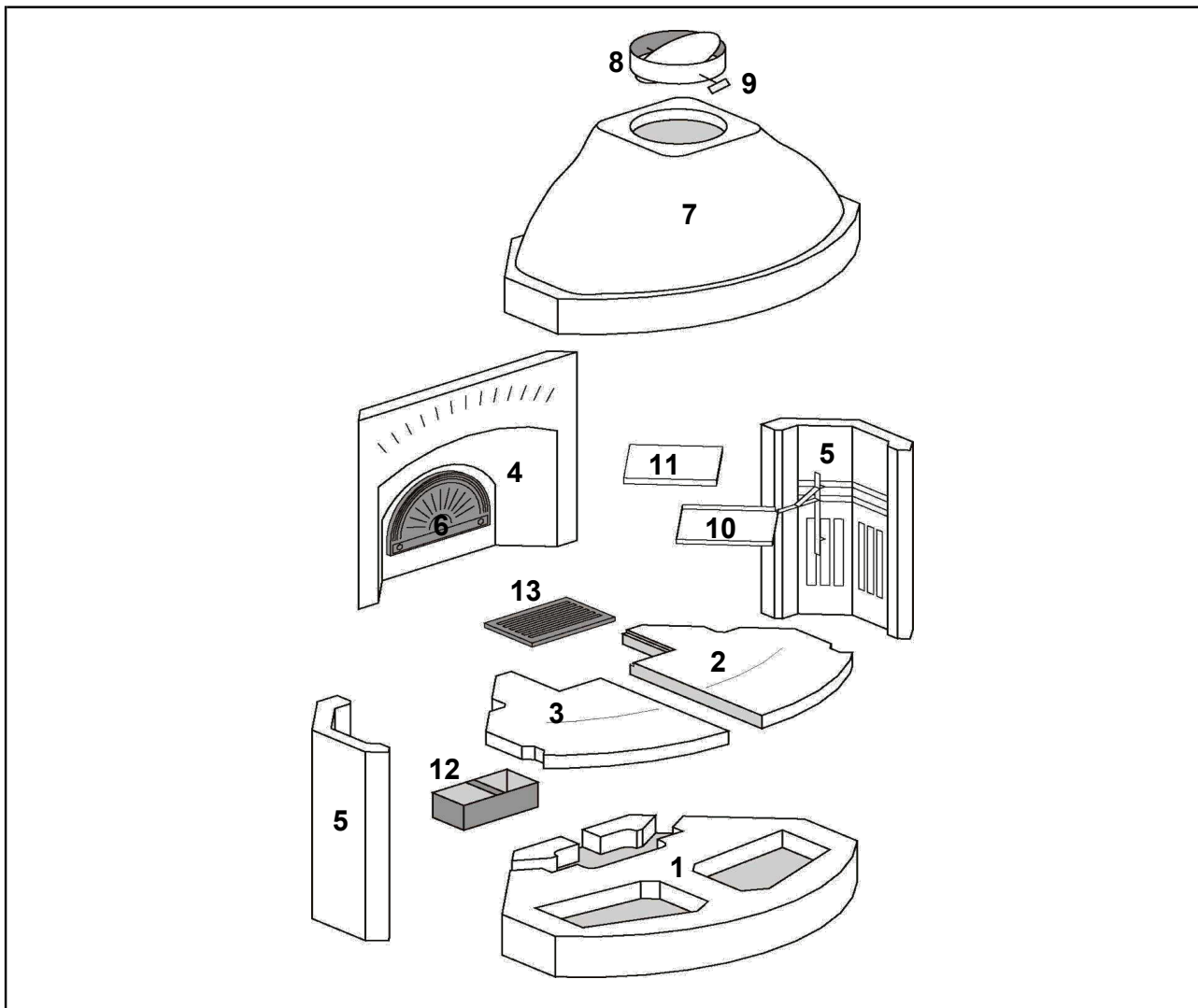
FIREPLACE C 105 DIMENSIONS



PART LIST			
N.	CODE	N. PCS	DESCRIPTION
1	XCBM105	1	C 105 CLAY BASE
2	XCPM105D	1	C 105 RIGHT REFRACTORY FLOOR
3	XCPM105S	1	C 105 LEFT REFRACTORY FLOOR
4	XCFM105	1	C 105 REFRACTORY REAR HEART PIECE
5	XCSM105	2	C 105 REFRACTORY SIDE HEART PIECE
6	XCGHFPT	1	C 105 CAST IRON REAR
7	XCCM105	1	C 105 FIREPLACE CLAY HOOD
8	YVALD30	1	VALVE D. 30
9	YMANFER	1	VALVE HANDLE
10	YBR3030	1	COOKING ARM 30x30
10	YCGANCA	1	HOOK REVOLVING ROD
11	YTA3030	1	REFRACTORY COOKING TILE 30X30
12	YCASPIC	1	ASH DRAWER
13	XGRIPIC	1	CAST IRON GRID 205x300

The numbers above correspond to those in the diagram below.

C 105 FIREPLACE ASSEMBLY DIAGRAM



Assembly of the Fireplace should follow the numbered sequence above.



CONSERVARE CON CURA IL PRESENTE SCHEMA DI MONTAGGIO.